

# HARVIA TOP CLASS

HKSE900400

*Harvia Topclass Combi is a unique combination of an electric heater and a steamer that provides sauna enjoyment for all senses. This heater is created for bathers who appreciate soft and humid steam and a fragrant atmosphere. The heater has luxurious soapstone cups to hold sauna fragrances and a stainless steel grate for bagged aromatic fragrances.*



## Features

Main material : Steel

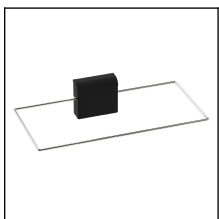
H x W x D : 640.0 x 400.0 x 360.0 mm

Net weight (kg) : 16.9

Installation location : Wall

ID	GTIN	Output (kW)	Sauna room size min - max m <sup>3</sup>
HKSE900400	6417659005685	9 kW	8.0-14.0

## Related products



SFE-220400

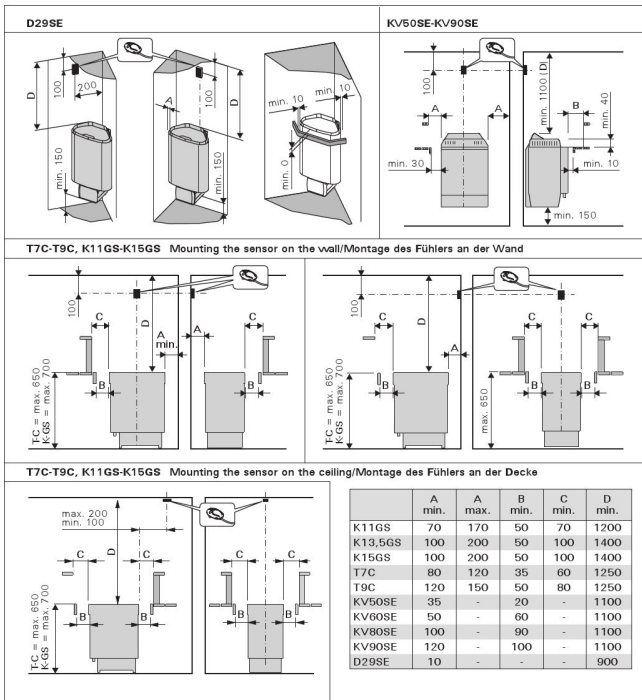
## Spare parts

Product	ID	Pcs
Silicon hose HGX 19/23	ZSTM-400	
Heating element 3000W/230V	ZSK-720	1
Heating element 2000W/230V	ZH-104	1
Soapstone cup Ø 46/36	ZH-205	2
Silicon hose pipe 12/16	ZH-175	1
Connection pipe 7/10, silicon	ZH-170	1
Pipe 7/10 1M, silicone transparent	SPZH-170	
Pipe 12/16 1 M, silicone transparent	SPZH-175	
Heating element 3000W 230V	SPZSK-720	3
Heating element 2000W 230V	SPZH-104	
Soapstone cup Ø 46/36, grey	SPZH-205	
Rubic 2123	S2123RC	
Rondium 2195*2195	S2222KL	

## Technical details

Technical data	Type / attribute	HKSE900400
	Color	Stainless Steel
	Power output	9 kW
	Stone amount (kg)	20
Dimensions	Product width	400
	Product height	640
	Product depth (mm)	360
	Net weight (kg)	16.9
	Gross weight	18.2
	Package width	375
	Package height	690
	Package depth	415
Safety and installation dimensions	Safety distance front (non-combustible materials)	100
	Safety distance side (non-combustible materials)	120
	Safety distance behind (non-combustible materials)	120
	Safety distance (Ceiling)	1100
	Room min. height(depends on connections and therefore from output, star/delta)	1900

Technical images



Safety distances (all dimensions in millimeters)