

HARVIA THE WALL

HSWE900400

Harvia The Wall heater was created with a focus on functionality. Easy installation, and durable structure make The Wall heater versatile in its features. The model E sauna heater is controlled by a separate control unit.

Advantages

- Compact, stylish and reliable heater for medium-sized sauna rooms
- The space-saving heater fits in a great variety of saunas
- Controlled by a separate control unit
- Option to integrate heater in sauna bench
- Durable structure and technical features extend heaters lifespan



Features

Main material : Steel

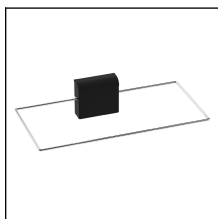
H x W x D : 700.0 x 380.0 x 260.0 mm

Net weight (kg) : 11.9

Installation location : Wall

| ID | GTIN | Output (kW) | Sauna room size min - max m3 |
|------------|---------------|-------------|------------------------------|
| HSWE900400 | 6410082660308 | 9 kW | 8.0-14.0 |

Related products



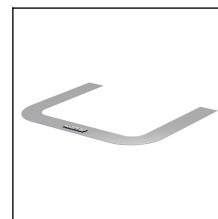
SFE-220400



HSW5



HSW5L



HSW1



HSW5

Spare parts

| Product | ID | Pcs |
|--|-----------|-----|
| Heating element 3000W/230V | ZCU-830 | 1 |
| Wall mounting bracket, Wall all models | ZWA-058 | 1 |
| Grid for The Wall heater | ZWA-023 | 1 |
| The Wall E, Air flow spoiler | ZWA-059 | 1 |
| Heating element support for Wall E/Combi | ZWA-077 | 1 |
| Heating element support The Wall E/Combi, AlZn | SPZWA-077 | |
| Grid, The Wall heater | SPZWA-023 | |
| Heating element 3000W 230V | SPZCU-830 | 3 |

Technical details

| Technical data | Type / attribute | HSWE900400 |
|------------------------------------|--|-----------------|
| | Color | Stainless Steel |
| | Power output | 9 kW |
| | Stone amount (kg) | 20 |
| Dimensions | Product width | 380 |
| | Product height | 700 |
| | Product depth (mm) | 260 |
| | Net weight (kg) | 11.9 |
| | Gross weight | 13.5 |
| | Package width | 460 |
| | Package height | 623 |
| | Package depth | 264 |
| Safety and installation dimensions | Safety distance front (non-combustible materials) | 30 |
| | Safety distance front (combustible materials) | 30 |
| | Safety distance right side (combustible materials) | 80 |
| | Safety distance right side non-combustible materials | 80 |
| | Safety distance left side (combustible materials) | 80 |
| | Safety distance left side non-combustible materials | 80 |
| | Safety distance side (non-combustible materials) | 80 |
| | safety distance to the side wall (combustible materials) | 80 |
| | Safety distance (Ceiling) | 1200 |
| | Room min. height(depends on connections and therefore from output, star/delta) | 1900 |
| | Installation opening height | 1900 |
| | Installation opening width | 540 |
| | Installation opening depth | 290 |

Technical images

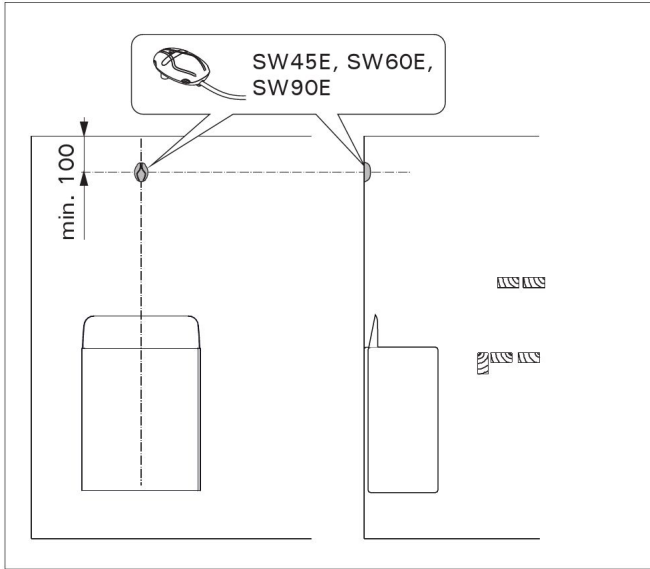
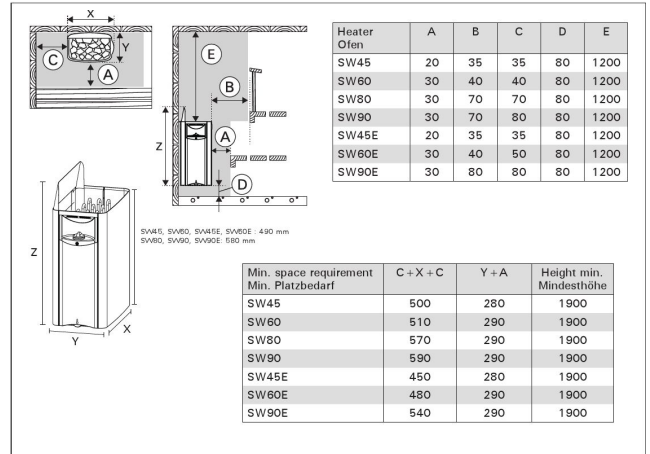


Figure 6. Installing the sensor (all dimensions in millimeters)



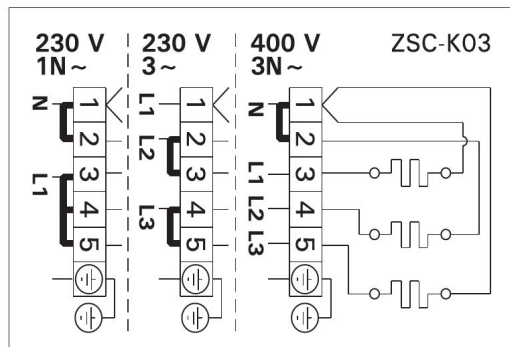
Minimum safety distances (all measurements in millimeters)

30

| # | Part number Teil nr. | Name | Pcs St. |
|----|------------------------------------|---|------------|
| 1 | SW45/E SW80/E SW90 SW90/E | Y10-0016 Y10-0015 Y10-0014 ZCU-830 | 3 |
| 2 | ZWA-007 | Element support Halterung | 1 |
| 3 | SW E | ZWA-023 ZWA-077 | 1 |
| 4 | SW E | ZWA-009 ZWA-059 | 1 |
| 5 | SW E | ZWA-058 | 1 |
| 6 | ZWA-011 | Timer knob Knopf für Zeitschaltuhr | 1 |
| 7 | ZWA-022 | Axle inlet rubber seal Gummidurchführung der Achse | 1 |
| 8 | ZWA-061 | Indicator lights Kontrollleuchte | 1 |
| 9 | WX641 | Clock + star lock washer Zeitschaltuhr + Zahnscheibe | 1 |
| 10 | ZWA-021 | Thermostat knob Knopf für Thermostat | 1 |
| 11 | ZSK-520 | Thermostat | 1 |
| 12 | SW45 SW80 SW90 SW90 | ZWA-041 ZWA-041 ZWA-016 ZWA-016 | 1 |

| SW45 SW45W | SW60 SW60E | SW80 | SW90 SW90E |
|--------------------|--------------------|--------------------|-------------------|
| | | | |
| Y10-0016 1500 W | Y10-0015 2000 W | Y10-0014 2600 W | ZCU-830 3000 W |

We recommend to use only the manufacturer's spare parts.



| Heater Ofen | 400V 3N~ | | 230V 1N~ | |
|-------------|---------------------------|--|---------------------------|--|
| | Fuses Sicherungen A | Power cable Anschlusskabel H07RN-F min. mm ² | Fuses Sicherungen A | Power cable Anschlusskabel H07RN-F min. mm ² |
| SW45E | 3 x 10 | 5 x 1,5 | 25 | 6 |
| SW60E | 3 x 10 | 5 x 1,5 | 35 | 10 |
| SW90E | 3 x 16 | 5 x 2,5 | 50 | 10 |

Electrical connections (SW45E, SW60E, SW90E)